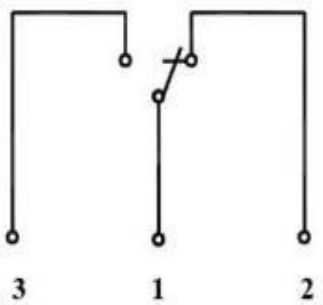
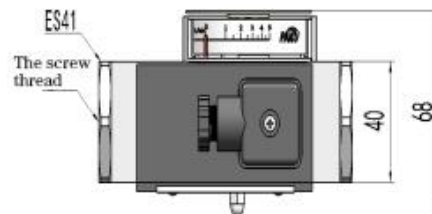
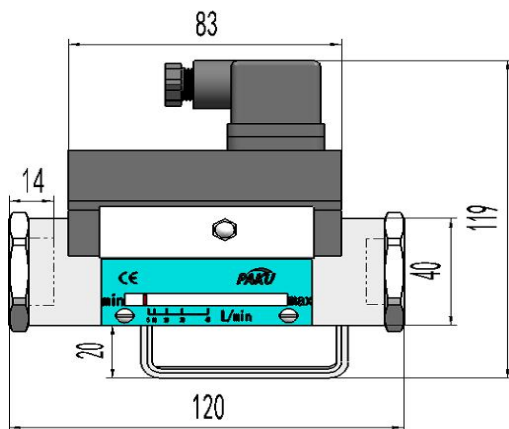


wiring diagram



dimension figure



principle and characteristics

The piston-type flow switch contains a magnetic piston supported by a precision spring that pushes the piston backward. The magnetic piston activates an external microswitch or reed tube.

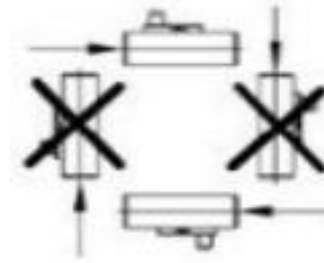
- ◆ The interior is all metal structure
- ◆ Optional pointer type flow switch
- ◆ Switch has high reliability and repeatability
- ◆ The mechanical part is completely isolated from the electronic part
- ◆ Breakdown Voltage
- ◆ normally open output
- ◆ Contact Capacity
- ◆ viscosity compensation function

technical specification

- ◆ Test medium: liquid
- ◆ Repeatability: $\leq \pm 3\%$ range
- ◆ Pressure resistance: 200bar (stainless steel type)
100bar (brass type)
- ◆ Output mode: normally open + normally closed
- ◆ Switch capacity: 24VAC / 110VDC, 1.5A
- ◆ Ambient temperature: $-20 \dots 70^\circ \text{C}$.
- ◆ Material: Electronic shell part: engineering plastic
Switch housing: stainless steel/brass nickel plated
The pointer displays the material PC
Spring: stainless steel
- ◆ Protection grade: IP65
- ◆ Electrical connection: Hersman connector

- applied range
- ◆ hydraulic pressure
 - ◆ lubrication
 - ◆ circulatory system

installation instructions
The location of installation affects the switch value



Selection table

SN21B	-	008	G	D	1	A	B	specification
SN21B	-							SN21B series pointer piston type flow switch
		008						Interface thread G1/4
		010						Interface thread G3/8
		015						Interface thread G1/2
		020						Interface thread G3/4
		025						Interface thread G1
			G					internal thread
				D				DC DC24V ± 20% power supply
				J				AC AC230V ± 15% power supply
					1			Brass nickel plated housing
					2			stainless steel housing
						A		Setting range: 0.4--4L/min
						B		Setting range: 1--12L/min
						C		Setting range: 5--40L/min
						D		Setting range: 6--60L/min
							B	Electrical connection Hersman connector

* Customizable thread, H for external thread, G for internal thread

* Please indicate medium flow direction, medium type, pipe diameter and expected set value when ordering. We can complete the setting for you at the factory

* For gaseous media, please indicate pressure (gauge pressure/absolute pressure), temperature and type of media

* For selection of electrical accessories and installation accessories, please refer to the appendix page on page -

* The selection table is only available for parameter selection, and the corresponding code is delivered.