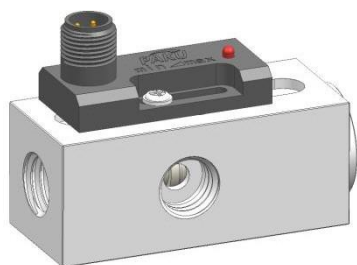
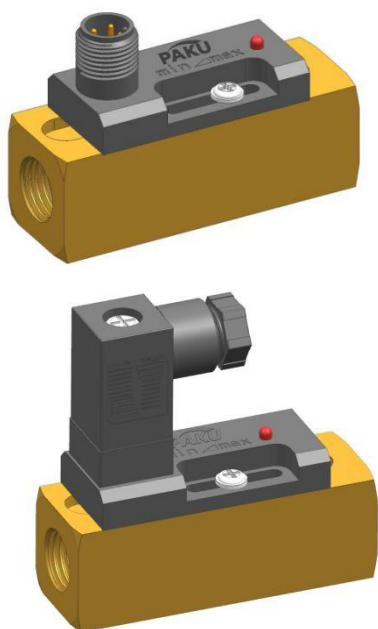


A



B



principle and characteristics

SN31C type small flow switch is divided into A type and B type. A type is the side type, the measurement is accurate and not easy to block and is not affected by the medium. B type belongs to the straight through type and has high requirements on the medium. On-line installation, mechanical flow switch, for liquid or gaseous media. Rugged plastic, aluminum or stainless steel housing is optional. Minimal pressure loss, good repeatability, anti-fouling ability, complete isolation of mechanical part and electronic part, suitable for low flow economy type. With switch setting scale, users can set according to the range on site. LED shows on/off status.

product application

Pneumatic liquid dual purpose, industrial automation/mechanical equipment/air compression industry/refrigeration and air conditioning.

technical specification

- ◆ Setting range: See parameters for details
- ◆ Accuracy: ± 5% of total range
- ◆ Hysteresis: Set the action point: 1L/min
- ◆ LED display: DC power supply LED display switch state, AC without LED display
- ◆ Wiring mode: M12 connector/Hersman
- ◆ Output: Dry reed switch
- ◆ Pressure: 10bar(brass)
- ◆ Medium temperature: 90° C Max
- ◆ Protection grade: IP65/IP67
- ◆ Material: Aluminum alloy shell
- ◆ Connection material brass
- ◆ Display window PE
- ◆ Piston: POM plastic and brass
- ◆ Spring: stainless steel
- ◆ seal: NBR

Selection table

SN31C-	A	G4K	1	1	1	A	1	D	specification
SN31C-									SN31C series piston type micro flow
	A								Model A (side out)-- (maximum flow
	A1								Model A side display type
	B								Model B (through)-- (maximum flow
		G4K							Internal thread G1/4 of interface
									Custom thread
			1						DC DC24V ± 20% power supply
				1					aluminium alloy housing
				2					Brass shell
				3					Stainless steel case (special order)
					1				Range: 0.02 to 1.2 L/min
						A			Connector type (standard with 2 meters of
						B			Hersman type
							1		1 switch point output
								D	LED indicating lamp
								W	No LED indicator
								B	Side display: magnetic bead scale

\*Custom interface thread: H for external thread, K for internal thread.

\*For selection of electrical accessories and installation accessories, please refer to the appendix page on page --.

\* The selection table is only available for parameter selection, and the corresponding code is delivered.