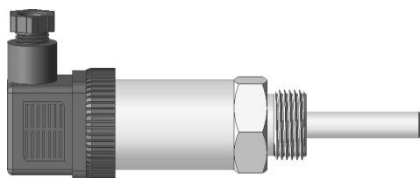
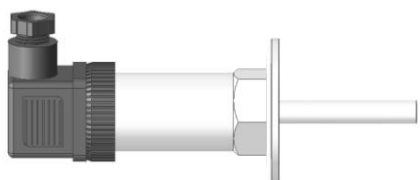


Thread model



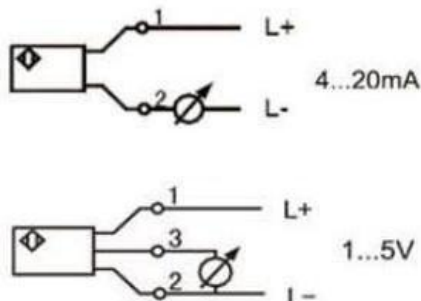
Sanitary chuck



Paragraph connectors



wiring diagram



principle and characteristics

The T450 contains a PT100 probe. The PT100 resistance varies with temperature. The internal circuit of the T450 converts this value into a linear analog output.

Simple installation, a variety of range optional, a variety of specifications probe optional, stainless steel housing, compact and firm structure. And can be equipped with field instrument and cabinet type control table.

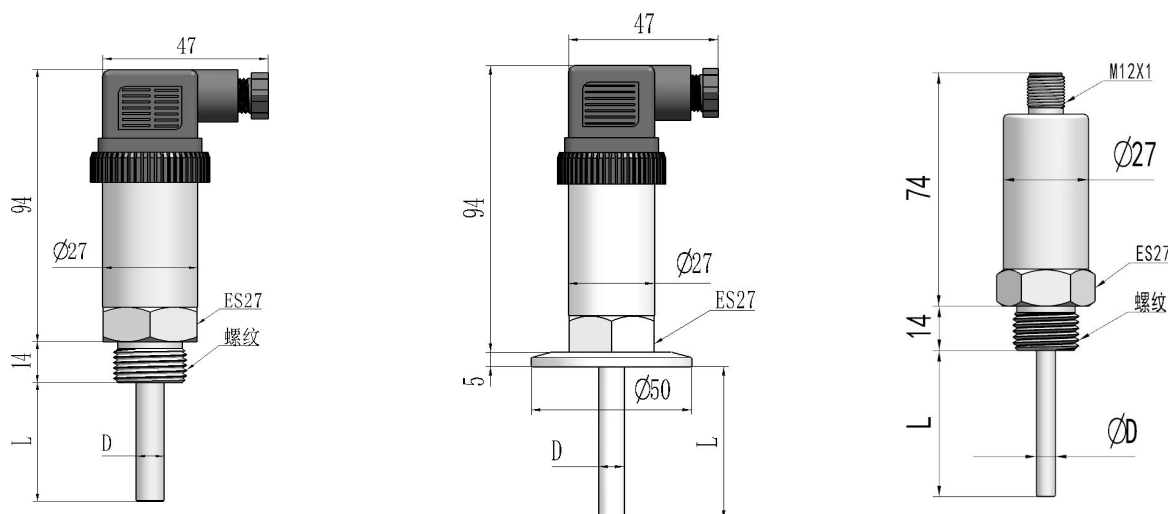
product application

It can be used in water supply system, hydraulic system, pneumatic system, cooling system, heating system, air conditioning system, automation engineering, etc.

technical specification

- ◆ Measuring range:  $-50^{\circ}\text{C} \dots 200^{\circ}\text{C}$  (user-defined)
- ◆ Linear degree:  $< 0.1\%$
- ◆ Accuracy:  $\pm 0.2\text{K} + 0.2\%$  full scale
- ◆ Resolution: 0.1K
- ◆ Pressure:  $\Phi 6$  type: probe 400bar,  $\Phi 8$  type: probe 100bar
- ◆ Temperature effect: 0.1K/10K
- ◆ Response time: 2.3 seconds
- ◆ Working voltage: 12... 30Vdc
- ◆ Electrical protection: anti-pole, overload protection
- ◆ Sensor: PT100
- ◆ Ambient temperature:  $-25 \dots 80^{\circ}\text{C}$
- ◆ Protection grade: IP65
- ◆ Shell material: 304 stainless steel
- ◆ Contact part material: 304 stainless steel
- ◆ Electrical connection: Hersman /M12\*1 connector

dimension figure



Selection table

T450-	A	M	A	4	D1	G4	B	specification
T450-								T450 series integrated temperature transmitter
	A							Probe length L 25mm (without thread)
	B							Probe length L 50mm (without thread)
	C							Probe length L is 75mm (without thread)
	D							Probe length L is 100mm (without thread)
	L...							Custom probe length L= mm (without thread)
		H						RA
			A					Range - 50... 0 °C
			B					Range - 50... 50 °C
			C					Range 0... 50 °C
			D					Range 0... 100 °C
			E					Range 0... 120 °C
			F					Range 0... 150 °C
			G					Range 0... 200 °C
			H...					Customize the range, e.g. -20... 100 °C, Selection: H - 20.. 100
				4				The analog range output is: 4... 20mA
				41				The armoured analog range output is: 4... 20mA
				0				The analog range output is :0... 10V
				1				The analog range output is :1... 5V
					D1			The probe diameter is Φ6
					D2			The probe diameter is Φ8
					D12			Custom probe, for example diameter Φ 12
					K			Threaded connection with movable sleeve (optional)
						G4		Threaded interface G1/4
						G2		Threaded interface G1/2
						K5		Sanitary chuck 50.5mm
						M2		Threaded interface M20*1.5
								Custom thread
							A	Connector type M12*1 (standard with 2 meters)
							B	Hersman joint

\* The selection table is only available for parameter selection, and the corresponding code is delivered.

Optional display header

F10-	A	specification
F10-		Display meter
	A	4-20 ma output
	B	1-5 v output
	C	0 to 10 v output

- \* The display represents an electronic device used for digital display of a sensor signal, The desired display range can be set by setting button
- \* Free programming through an unprocessed processor
- \* No on-site setup required
- \* With 4... 20mA output sensor
- \* Protection class IP55
- \* simplicity of operator

