

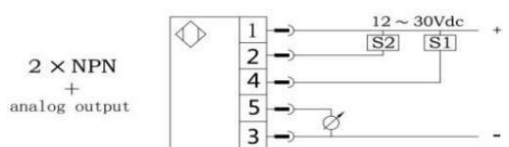
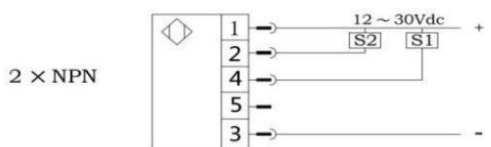
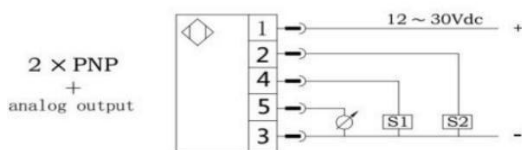
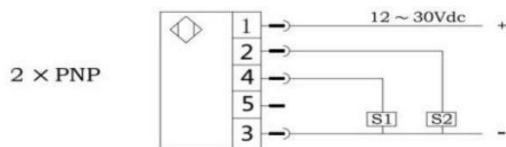
Thread model



Chuck type



wiring diagram



principle and characteristics

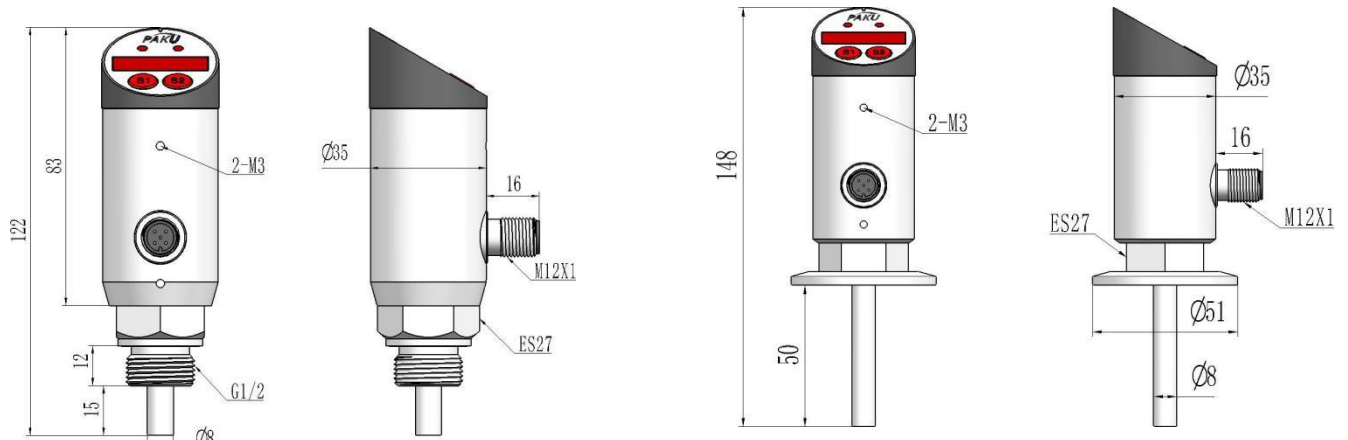
The high precision sensor is used for temperature measurement, and the signal is processed by the rear processing circuit and converted into standard industrial electrical signal output and display. Full metal housing design, the use of highlighted LED digital display, so that the series can be used in a variety of industrial applications. Double key design and menu make the product more convenient to use. Multiple connection modes can fully meet various specific installation requirements. The display head can rotate 330° to ensure the best viewing Angle under different installation modes.

- ◆ Economical product
- ◆ 4-digit LED digital display
- ◆ Full Metal Jacket
- ◆ PNP/NPN can choose
- ◆ 4--20mA
- ◆ Display head can be rotated

technical specification

- ◆ Measuring range: -50.. 200 °C
- ◆ Power supply voltage: 12... 30Vdc
- ◆ No-load current consumption: maximum 30mA, 24VDC power supply
- ◆ switched output: Output type: PNP, NPN optional normally open normally closed can be set
- ◆ S1, S2 output current: <500mA
- ◆ Response time <10ms
- ◆ Switch accuracy: ≤ ± 0.5% range
- ◆ Current type analog output: ≤ ± 0.5% range
- ◆ Output type: 4... Can be set to 20 ma
- ◆ load RA: 0.5 KOhm or less
- ◆ Linearity: ≤ 0.5% range
- ◆ Wiring protection: reverse phase, overload, short circuit protection
- ◆ display:
 - ◆ Design: red 4-bit 8mm high brightness LED
 - ◆ Display range: 999... 9999
- ◆ Accuracy: ≤ ± 0.5% range
- ◆ Stability (annual drift) : ≤ ± 0.3% range
- ◆ temperature:
 - ◆ Medium temperature: -50.. 200 °C
 - ◆ Ambient temperature: -20... 80 °C
 - ◆ Storage temperature: -30... 80 °C
- ◆ materials : Shell of the watch head: engineering plastic
 - ◆ Shell: 304 stainless steel
 - ◆ Medium contact part: stainless steel 304
- ◆ Protection grade: IP67
- ◆ Outgoing way: M12X1 connector

dimension figure



Selection table

T850-	A	P	A	A	G4	H	050	S	specification
T850-									T850 series digital display intelligent temperature switch sensor
	A								2 switches output
	B								2 switching quantities +1 analog
	C								2 switching quantities +1 analog
		P							PNP output
		N							NPN output
			A						Range 0... 100 °C
			B						Range 0... 150 °C
			C						Range - 50... 200 °C
			D..						Customize the range, e.g. -20... 100 °C.
				A					threaded connection
				B					Chuck connection
				D					flanged joint
					G4				Interface thread: G1/4
					G2				Interface thread: G1/2
					N4				Interface thread: NPT1/4
					N2				Interface thread: NPT1/2
					K5				Chuck (50.5mm)
					25				DN25 flange, model selection: 25
									Custom thread
						H			external thread
							L...		Customized probe rod length unit mm (without thread)
							025		Probe rod length unit mm (without
							050		Probe rod length unit mm (without
							075		Probe rod length unit mm (without
							100		Probe rod length unit mm (without
								S	M12*1 connector (standard with 2 meters wire)

* The selection table is only available for parameter selection, and the corresponding code is delivered