

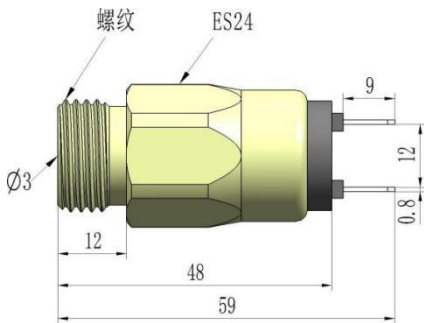


principle and characteristics

The built-in piston is connected with the precision spring. When the pressure changes, the spring expansion changes accordingly. When the pressure reaches the set value, the preset mechanical junction will be triggered and the switch signal will be sent out.

Designed for OEM applications, these compact pressure switches are ideal for engineering machinery, Marine valve remote control systems, and other applications that require high pressure resistance. 0.3 -- 100BAR (optional set point: 200BAR for piston type) Exceptional volumetric pressure range ratio can be set factory or field adjusted.

dimension figure



technical specification

- ◆ Storage temperature : -45... 130 ° c.
- ◆ Working temperature: -45... 130 ° c.
- ◆ Switch: 100VA
- ◆ Repetition performance: ± 3%
- ◆ Pressure connection: galvanized steel/stainless steel
- ◆ Electrical connection: 6.3*0.8 insert
- ◆ Service life: 1 million times
- ◆ Maximum pressure: 30MPa for diaphragm type
- ◆ Piston type pressure 60MPa

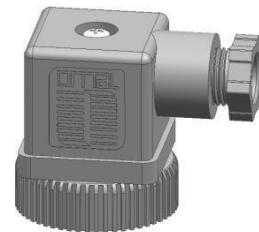
Optional Accessories



Type A protective cap
With a single wire hole
◆ for diameters
1.5 5 mm cable



B protective cap
With double wire holes
◆ for diameters
1.7 2.2 mm cable



C
Hersman joint

Selection table

P11-	A	N	S	G1	H	N	B	specification
P11-								P11 series mechanical adjustable pressure switch
	A							Measuring range: 0.03-- 0.3Mpa
	B							Measuring range: 0.06--0.6MPa
	C							Measuring range: 0.1--0.4MPa
	D							Measuring range: 0.1--1.3MPa
	E							Measuring range: 0.4--2.8MPa
	F							Measuring range: 0.5--1.5MPa
	G							Measuring range: 0.6--6.0MPa
	H							Measuring range: 1.6--4.0MPa
	I							Measuring range: 4.1--7.0MPa
	J							Measuring range: 5.0--15.0MPa
	K							Measuring range: 7.1--10.0MPa
		N						Alarm point setting, such as 3MPa alarm,
			S					Galvanized steel base
			X					stainless steel
				G1				Interface thread G1/8
				G2				Interface thread G1/4
				G3				Interface thread G1/2
				N13				Interface thread NPT1/4
				N2				Interface thread NPT1/2
				M1				Interface thread M10*1
				M2				Interface thread M12*1.5
				M3				Interface thread M14*1.5
				M4				Interface thread M20*1.5
								Custom thread
					H			external thread
					K			internal thread
						N		Normally open
						F		Normally closed
							A	Type A protective cap
							B	B protective cap
							C	Type C Hersman
							D	DE chi plug-in

* The selection table is only available for parameter selection, and the corresponding code is delivered.