

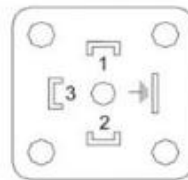
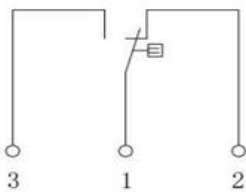
principle and characteristics

Pressure switch adopts thin film (low pressure) or piston (high pressure) measuring element, can be used for gas or liquid pressure detection. When the pressure reaches the set value, the moving parts trigger a spring-supported microswitch. Can be installed in plate type. Can measure neutral gas, air, lubricating oil, oil and other media.

technical specification

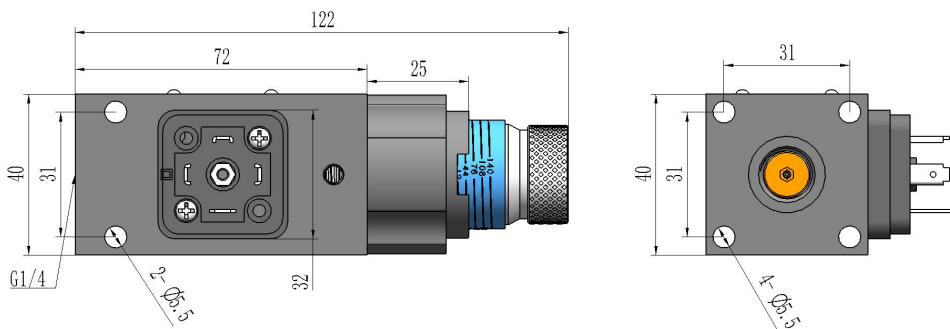
- ◆ Measurement range: See the table below
- ◆ Error: See the table below
- ◆ Hysteresis: $\pm 10\%$ of the set value
- ◆ Error: $\pm 2\%$ of the set value
- ◆ output: 5 (4) A / 14Vdc
4 (3) A / 30Vdc
5 (3) A / 125Vac
3 (2) A / 250Vac
- ◆ Pressure: 900bar
- ◆ Protection Protection: IP65
- ◆ Contact life: 106 times
- ◆ Electrical contact: Silver SPDT
- ◆ Sealing: NBR + Teflon

wiring diagram



Solenoid valve plug

dimension figure



Selection table

PN10C-	008	L	G4	F	R	specification
PN10C-						PN10C series adjustable knob piston pressure switch
	008					Measuring range: 8... 150bar
	040					Measuring range: 40... 400bar
		L				anodised aluminium
			G4			Interface thread G1/4
				F		internal thread
					R	Form

* The selection table is only available for parameter selection, and the corresponding code is delivered.