



principle and characteristics

PN80C series electronic pressure sensor adopts high precision diffused silicon core to ensure high precision and durability of the sensor. With on-site display, LED digital display for on-site pressure or Settings menu.

Maximum measuring range: -1... 600bar, digital LED display pressure value and switch status, menu set switch point, analog quantity start, end point, output function, storage function and display function, so the setting does not need to be completed in the field. With high reliability, the output can be directly connected for PLC. M12 lock type connector, easy to disassemble, high protection level. Positive or negative pressure can be measured. The sensor can be used as either a pressure switch or a pressure transmitter because it has both a switching output and an analog output. The display head can rotate 330° to ensure the best viewing Angle under different installation modes.

- ◆ Economical products
- ◆ 44-digit LED digital display
- ◆ Full Metal Jacket
- ◆ PNP/NPN can choose
- ◆ 4--20mA
- ◆ Display head can be rotated
- ◆ split type

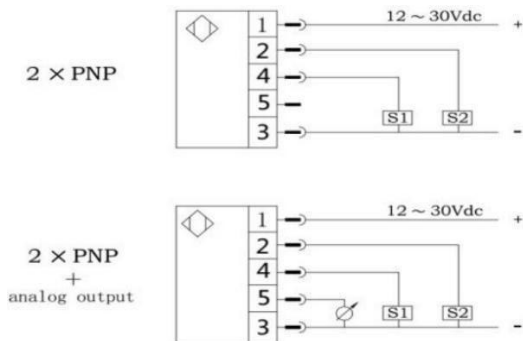
technical specification

- ◆ Power supply voltage: 12... 30Vdc
- ◆ High precision diffused silicon core
- ◆ No-load current consumption: maximum 30mA, 24VDC power supply
- ◆ switched output
- ◆ Output type: PNP, NPN optional normally open normally closed can be set
- ◆ S1, S2 Output current: <500mA Response time <10ms
- ◆ Switching accuracy: $\leq \pm 0.5\%$ range
- ◆ Current type analog output: $\leq \pm 0.5\%$ range
- ◆ Output type: 4... Can be set to 20 ma
- ◆ load RA: 0.5 KOhm or less
- ◆ Linearity: $\leq 0.5\%$ range
- ◆ Wiring protection: reverse phase, overload, short circuit protection
- ◆ display:
 - ◆ Design: red 4-bit 8mm high brightness LED
 - ◆ Display range: 999... 9999
- ◆ Accuracy: $\leq \pm 0.5\%$ range
- ◆ Stability (annual drift) : $\leq \pm 0.3\%$ range
- ◆ temperature:
 - ◆ medium temperature: -20...85°C
 - ◆ environment temperature: -20...80°C
 - ◆ storage temperature: -30...80°C

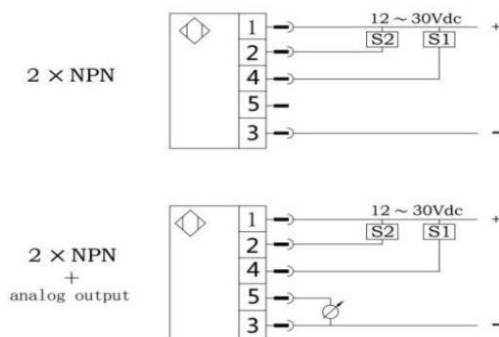
Materials: Shell of the watch head: engineering plastic
 Shell: 304 stainless steel
 Medium contact part: stainless steel 304

- ◆ Protection grade: IP67
- ◆ Outgoing mode: M12X1 connector
- ◆ The head part and hexagonal part can rotate 330°
- ◆ temperature compensation

Wiring Diagram 1. (PNP Output)



Wiring Diagram 2. (NPN output)



dimension figure



Selection table

PN80C-	P	Z	A	G4	H	G2	2	D	Q	B	specification
PN80C-											PN80C series split type digital display intelligent
	P										PNPoutput
	N										NPNoutput
		Z									positive pressure
		F									negative pressure
			A								Setting range: -1.. 1 bar or 0.. 1bar
			B								Setting range: -1.. 2 bar or 0.. 2bar
			C								Setting range: -1.. 5 bar or 0.. 5bar
			D								Set range: 0.. 10bar
			E								Set range: 0.. 25bar
			F								Set range: 0.. 100bar
			G								Set range: 0.. 160bar
			H								Set range: 0.. 250bar
			I								Set range: 0.. 400bar
			J								Set range: 0.. 600bar
			K								Custom range, such as 300bar, Selection: K300
				G4							Interface thread: G1/4
				G2							Interface thread: G1/2
				K5							Chuck connection (outside diameter 50.5mm)
											Custom thread
					H						external thread
					K						internal thread
						G2					Display fixed thread: G1/2
						G21					Display fixing thread: G1/2+ mounting bracket
							2				Connecting wire length, standard 2m
											Length of optional connection line m (unit)
								A			1 switch output
								B			2 switches output
								C			1 analog quantity 4-20mA output
								D			1 switch +1 analog 4-20mA output
								E			2 switching quantities +1 analog quantities 4-20mA output
								F			2 switching quantities +1 analog quantities 1-5V output
									Q		M12 x 1 connector
										B	No damper, no heat sink
										Z	Damper (optional)
										S	Heat sink (optional)

* The type selection table is only for technical selection, and the corresponding type of the factory model is reflected by the code.