

**On the display**



**No display**



principle and characteristics

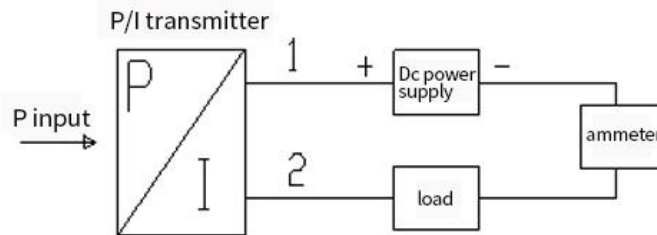
LF70A series liquid level transmitter, using imported sensor pressure sensing element, with computer laser resistance adjustment for temperature compensation, using integrated junction box design. With special terminal and digital display, easy installation, calibration and maintenance. This series of products are suitable for petroleum, water conservancy, chemical, metallurgy, electric power, light industry, scientific research, environmental protection and other enterprises and institutions, to achieve the measurement of liquid level height and is suitable for all weather environment and all kinds of corrosive fluids in various occasions.

A variety of range selection; Digital pressure display; Zero point, range debugging is convenient; Reverse polarity protection and current limiting protection; Lightning resistance, impact resistance; Intrinsically safe explosion-proof; Small size, beautiful appearance, high cost performance; High precision, high stability and high reliability.

technical specification

- ◆ Range selection: 0~1m... 200m
- ◆ Output signal: 4 ~ 20mA
- ◆ Power supply voltage: 18 ~ 36VDC
- ◆ Accuracy grade: 0.25% 0.5%
- ◆ Allowable overload: 150% of standard range
- ◆ Use temperature: -40°C ~ 80°C (special order)
- ◆ Long-term stability: ≤ ± 0.2%FS/ year
- ◆ Protection grade: IP67
- ◆ Sealing material: nitrile butadiene rubber fluorine rubber
- ◆ Pressure interface: 1Cr18Ni9Ti
- ◆ Shell material: die-cast aluminum
- ◆ Sensor diaphragm: stainless steel 316L

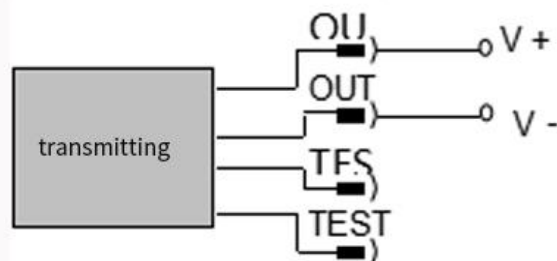
wiring diagram



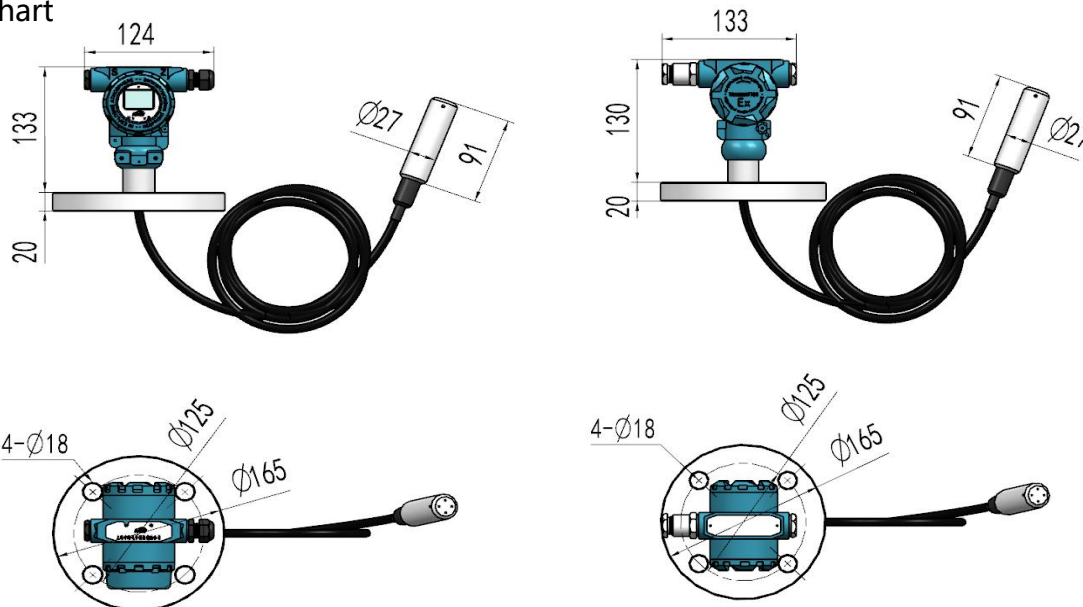
Schematic diagram of dial



Two wire transmitter 4~20mA



Size chart



Selection table

LF70A-	A	A	5	B	4	A	1	B	specification
LF70A-									LF70A series input type hydrostatic level transmitter
	A								No display with watch head
	B								LED display with meter head
	C								NoColHeader
		A							The diameter of probe is 28mm
			L						Maximum range: 0–200m, user can customize range
				A					Accuracy grade: 0.2
				B					Accuracy grade: 0.5
					4				Analog output: 4–20mA
					1				Analog output: 1–5V
						A			Cable material: PVC
						B			Cable material: PTFE
							1		Probe material: 316L
							2		Probe material: PTFE
								A	suspension type
								B	DN25 flange
								C	DN50flange
								D	M30*1.5external thread
								...	special tailor-made

\* The type selection table is only for technical selection, and the corresponding type of the factory model is reflected by the code.