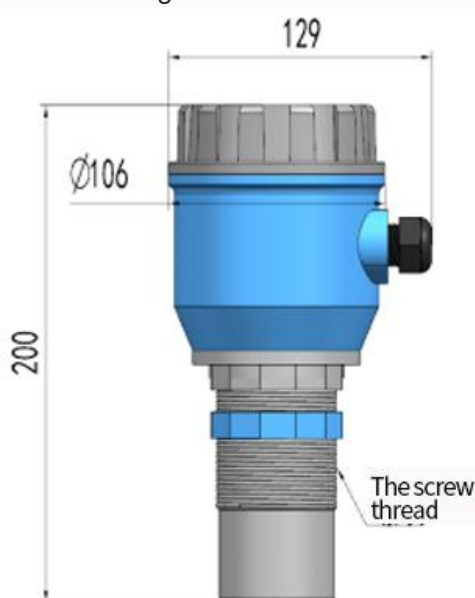


dimension figure



principle and characteristics

LF650 series ultrasonic liquid (material) sensor mounted on the upper part of the container, under the control of an electronic unit, the probe sends a beam of ultrasonic pulse to the measured object. The sound wave is reflected from the surface of the object, and part of the reflected echo is picked up by the probe and converted into an electrical signal. The time from ultrasonic transmission to rereception is proportional to the distance from the probe to the measured object. An electronic unit detects the event and calculates the measured distance based on the known speed of sound. The potential value of the liquid can be obtained by subtraction operation.

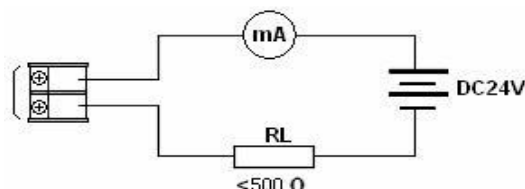
It can be connected to the display table or various DCS systems through 4~20mA to provide real-time liquid level data for the automatic operation of industry.

- ◆ liquid level accuracy of  $\pm 0.25\%$ , can resist various interference waves.
- ◆ Non-contact type, not with direct contact with the liquid, so low failure rate.
- ◆ All input and output lines have the protection function of lightning protection and short circuit protection

technical specification

- ◆ Measuring range: 0 ~ 20m (selected according to the measured range)
- ◆ Blind zone: 0.45m ~ 0.6m
- ◆ Range ranging accuracy: 0.3~0.5% (standard conditions)
- ◆ Ranging resolution: 1mm
- ◆ Pressure: normal pressure
- ◆ Meter display: with LCD display
- ◆ analog output: 4 ~ 20mA
- ◆ supply voltage: DC24V
- ◆ environment temperature:  $-20^{\circ}\text{C} \sim +60^{\circ}\text{C}$
- ◆ Protection grade: IP65

wiring diagram



Selection table

LF650-	1	A	4	M5	D	specification
LF650-						LF650 series ultrasonic liquid (material) position
	1					integrated
	2					split type
		A				range: 3m
		B				range: 5m
		C				range: 10m
		D				range: 15m
		E				range: 20m
			4			4~20mAoutput
			4C			4~20mA output + 1-way relay
			R			Output RS485, Modbus protocol
				M5		Install thread M59*2
				G2		Install thread G2"
				D6		Mounting flange: DN60
				D8		Mounting flange: DN80
					D	power supply: 24V DC
					J	power supply: 220V AC

\* The selection table is only available for parameter selection, and the corresponding code is delivered.